

## ■ SMD OSC 7.0×5.0mm

- Wide Frequency & Voltage range
- Available 3-State function
- Excellent heat resistance, high precision, and high stability.
- Nominal frequency range : 1.0MHZ to 150MHZ
- Mode : Fundamental, 3rd, Multi

- Applications : PC, DVD, PDA, TV, HDTV, ISDN, Mobile phone, Gb ethernet.

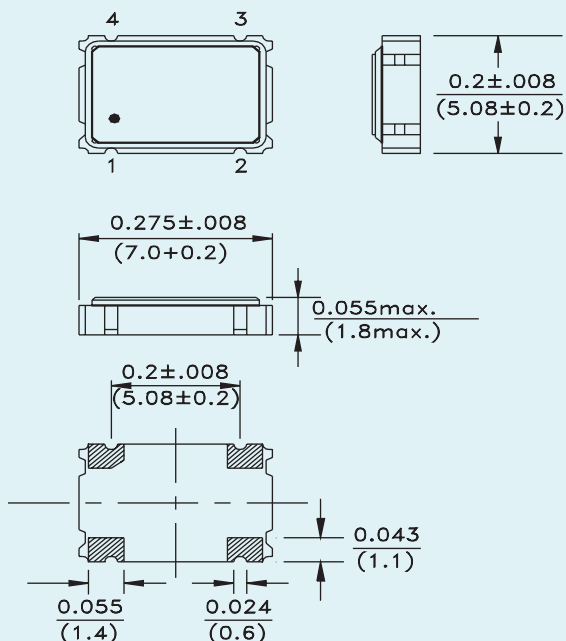
## ■ Standard Specification

Frequency Range	1.0MHZ to 150MHZ	
Supply voltage	1.8V(160MHZ max), 2.5V, 3.3V, 5.0V(125MHZ max)	
Current consumption	See table →	
Temperature Range	Operating	-40°C to +85°C, User spec
	Storage	-55°C to +125°C
Frequency Stability	±50ppm max, User spec	
Output load condition	CMOS 15pF(STD), 30pF MAX	
Symmetry (Duty)	45% to 55%, 40% to 60% (30pF)	
Output rise and fall time (tr/tf)	5ns max, 7ns max (30pF)	
High output voltage	90% Vdd min	
Low output voltage	10% Vdd max	
Oscillation start up time	5ms max	
Aging	± 5ppm max	
phase Jitter (12KHZ ~20MHZ)	1 ps max	
Period Jitter (Pk-Pk)	Fund : ±40ps max, 3rd O/T : ±100ps max	

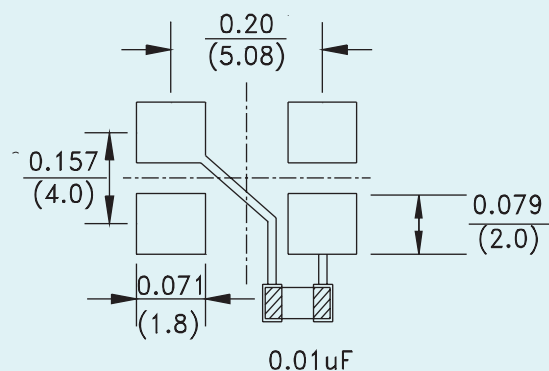
## ■ Current consumption : mA max

	1.8V	2.5V	3.3V	5.0V
≤ 25.00M	4	6	10	15
≤ 40.00M	6	8	15	20
≤ 60.00M	10	12	20	30
≤ 80.00M	15	18	25	35
≤ 106.25M	20	25	30	45
≤ 125.00M	25	30	40	50
≤ 160.00M	30	35	45	
≤ 250.00M		40	50	

## ■ Dimensions (mm)



## Recommended land pattern



**Note:** It is recommended to use an approximately 0.01uF bypass capacitor between PIN 2 and 4.

PIN	FUNCTION
1	Tristate Enable/Disable
2	GND/Case
3	Output
4	Vdd

Dimensions: Inches (mm)